

ITEM NO: 907011

MAGNATIC POWER SUPPLY 200W 48V



Areas of application:

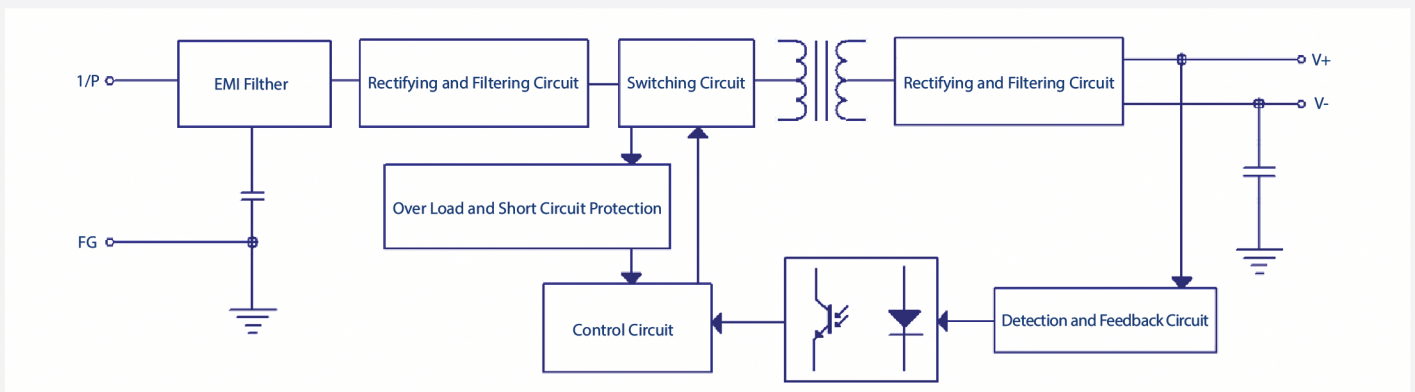
- > General indoor illumination
- > Decorative illumination
- > Private living areas

Features:

- > Aluminum Casing
- > Ultra-light and easy to install
- > High efficiency up to 85%
- > High reliability
- > Wide input Voltage 180 ~ 264Vac
- > Ambient Temperature (Ta) (45°C)
- > Protection Characteristics:
 - Overload Protection: 110%~150% of rated load.
 - Short Circuit Protection: Protection Type: Hiccup mode, Auto-recovery

CAPTION	THE VALUE
Rated Power	200W
Rated Output Voltage	48V
Output Current	0~2.08A
Typical Efficiency	86%
Rated Lifetime	30000 h
Ambient Temperature	45°C
Setup and Rise Time	1.5 S / 50mS(max)
Dimension	W25 L310 H45 mm
Dimming	NO

UNIT PARTS DIAGRAM



IP
20

Ta
45°C

Apartment

Supermarket

Retail Store

Office

Hotel

School

Hospital